

1) Product main performance/产品主要性能指标:

Operating Temperature/工作温度:  $-55^{\circ}\text{C}\sim 200^{\circ}\text{C}$

Humidity(max)/最大潮湿:  $\leq 95\%$  [at  $60\text{ deg C} / 140\text{ F}$ ]

Shielding /屏蔽性能:  $75\text{dB}(10\text{MHz})\ 40\text{dB}(1\text{GHz})$

Salt Spray Corrosion/盐雾: 96hr

P op (max)/最大环境压力: 60 bar (870 psi)

Mechanical data/机械特性:

Vibration/振动:  $15\text{g}[10\text{Hz}\sim 2000\text{Hz}]$

Shock Resistance/冲击:  $100\text{g}[6\text{ms}]$

Endurance (Shell)/机械寿命: 5000次

Cable/配接电缆:  $\phi 6.1\text{mm}\text{--}\phi 7.0\text{mm}$

2. 电气性能

Insert Configuration/针芯配置: 3T. 304 4Low Voltage

Pin Size/接触件直径:  $\phi 2.0\text{mm}$

Contact resistance接触电阻:  $\leq 3.5\text{m}\Omega$

Insulation resistance/绝缘电阻:  $5000\text{M}\Omega$  (测试电压 $500\text{V}(\text{DC})$ )

Withstand voltage/耐电压:  $1250\text{V}(\text{AC})$

Rated working current额定工作电流:  $19.0\text{A}$

Other Specification/其它规格:

Contact PIN/接触体: Gold plated Tin bronze/锡青铜镀金

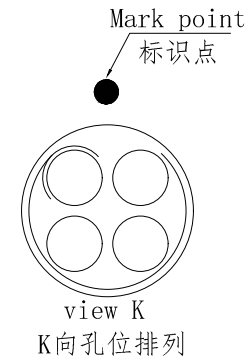
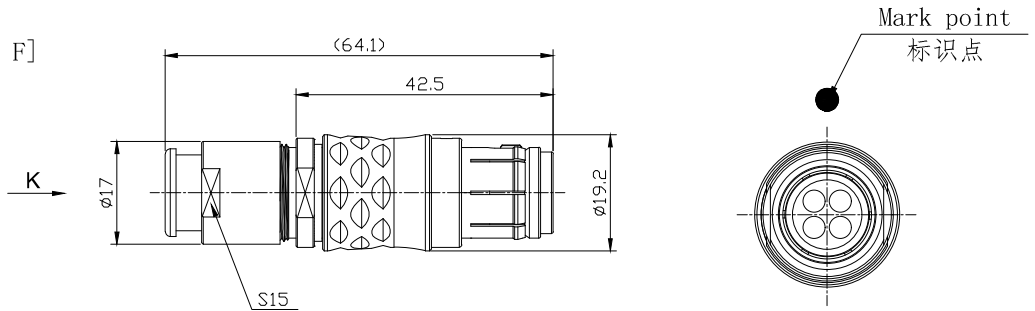
Housing Material/外壳材质: Chrome plated brass/铜镀珍珠铬

Other metal spare parts/其余金属件: Nickel plated brass/铜镀镍

Insulator material/绝缘材料: PPS

IP Rating/防护等级: IP68(头座插合)

\*ALL MATERIALS ARE RoHS COMPLIANT/所有材料均符合RoHS要求.



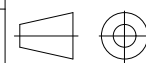
DRAWN BY:  
绘图: Z01 2024. 6. 20  
CHECKED BY:  
审核: Z01 2024. 6. 20  
APPROVED BY:  
核准: PD05 2024. 6. 20



美易连电子科技(深圳)有限公司  
Meiyilian electronic technology(shenzhen)Co. Ltd.

GENERAL TOLERANCE  
(UNLESS SPECIFIED)

$\leq 10 \pm 0.1$   
 $< 10^{\circ} \leq 20 \pm 0.15$   
 $< 20^{\circ} \leq 50 \pm 0.3$   
Angle  $\pm 1^{\circ}$



FIRST ANGLE PROJECTION

单位  
UNIT: mm  
比例  
SCALE: 1: 1

名称  
PART NAME

3T-TG直式插头(带护套式尾帽)  
3T-TG Straight plug  
(with jacketed tail cap)

型号  
PART NAME

TGG. 3T. 304. CLAC72Z

REV/版本

A1

SHEET: 1 OF 1