

1) Product main performance/产品主要性能指标:

Operating Temperature/工作温度 : -55℃~200℃
 Humidity(max)/最大潮湿 : <=95% [at 60 deg C / 140 F]
 Shielding /屏蔽性能 : 75dB(10MHz) 40dB(1GHz)
 Salt Spray Corrosion/盐雾 : 96hr
 P op (max)/最大环境压力 : 60 bar (870 psi)

Mechanical data/机械特性:
 Vibration/振动 : 15g[10Hz~2000Hz]
 Shock Resistance/冲击 : 100g[6ms]
 Endurance (Shell)/机械寿命 : 5000+
 Cable/配接电缆: ϕ 5.1mm- ϕ 6.0mm

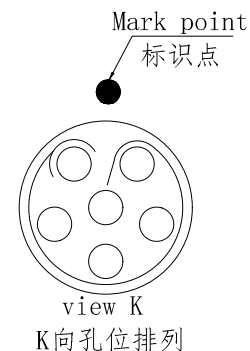
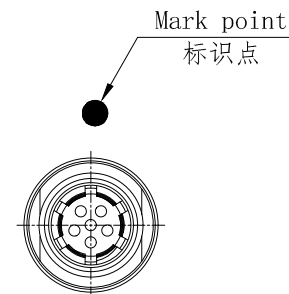
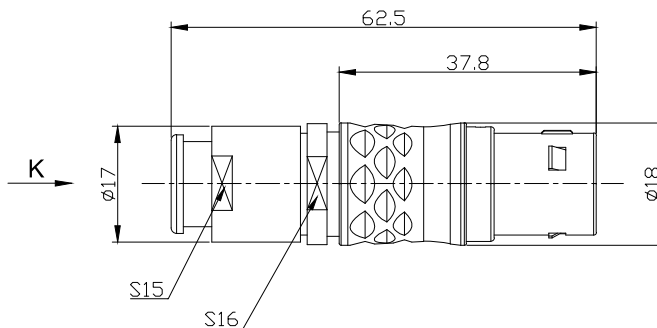
2. 电气性能

Insert Configuration/针芯配置: 3B. 306 6Low Voltage
 Pin Size/接触件直径: ϕ 1.6mm
 Contact resistance接触电阻: \leq 4m Ω
 Insulation resistance/绝缘电阻: 5000M Ω (测试电压500V (DC))
 Withstand voltage/耐电压: 750V (AC)
 Rated working current额定工作电流: 17.0A

Other Specification/其它规格:

Contact PIN/接触体: Gold plated Tin bronze/锡青铜镀金
 Housing Material/外壳材质: Chrome plated brass/铜镀珍珠铬
 Other metal spare parts/其余金属件: Nickel plated brass/铜镀镍
 Insulator material/绝缘材料: PPS
 IP Rating/防护等级: IP50

*ALL MATERIALS ARE RoHS COMPLIANT/所有材料均符合RoHS要求.



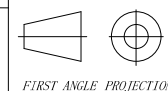
REV/版本	DESCRIPTION/变更内容	DATE/日期	DRAWN BY/绘图

DRAWN BY:
 绘图: P003 2024. 05. 28
 CHECKED BY:
 审核: Z01 2024. 05. 28
 APPROVED BY:
 核准: P005 2024. 05. 28



美易连电子科技(深圳)有限公司
 Meiyilian electronic technology(shenzhen)Co.,Ltd.

GENERAL TOLERANCE
 (UNLESS SPECIFIED)
 \leq 10 \pm 0.1
 <10~ \leq 20 \pm 0.15
 <20~ \leq 50 \pm 0.3
 Angle \pm 1°



FIRST ANGLE PROJECTION

单位
 UNIT: mm
 比例
 SCALE: 1: 1
 SIZE: A4

名称
 PART NAME

3B-TG直式插头(带护套式尾帽)
 3B-TG Straight plug
 (with jacketed tail cap)

型号
 PART NAME

TGG. 3B. 306. CLAD62Z

REV/版本 A1

SHEET: 1 OF 1