

1) Product main performance/产品主要性能指标:

Operating Temperature/工作温度:  $-55^{\circ}\text{C} \sim 200^{\circ}\text{C}$   
 Humidity(max)/最大潮湿:  $\leq 95\%$  [at 60 deg C / 140 F]  
 Shielding /屏蔽性能: 75dB(10MHz) 40dB(1GHz)  
 Salt Spray Corrosion/盐雾: 96hr  
 P op (max)/最大环境压力: 60 bar (870 psi)

Mechanical data/机械特性:

Vibration/振动: 15g[10Hz~2000Hz]  
 Shock Resistance/冲击: 100g[6ms]  
 Endurance (Shell)/机械寿命: 5000次  
 Cable/配接电缆:  $\phi 2.1\text{mm} - \phi 3.0\text{mm}$

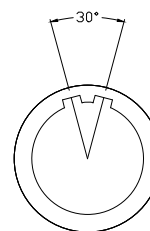
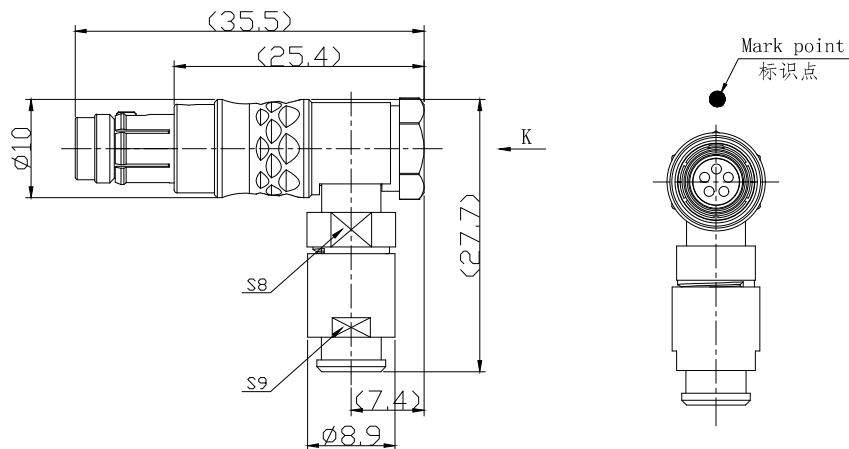
2. 电气性能

Insert Configuration/针芯配置: 0T.305 5Low Voltage  
 Pin Size/接触件直径:  $\phi 0.7\text{mm}$   
 Contact resistance/接触电阻:  $\leq 12.5\text{m}\Omega$   
 Insulation resistance/绝缘电阻: 5000M $\Omega$  (测试电压500V(DC))  
 Withstand voltage/耐压: 750V(AC)  
 Rated working current/额定工作电流: 6.5A

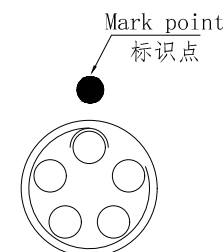
Other Specification/其它规格:

Contact PIN/接触体: Gold plated Tin bronze/锡青铜镀金  
 Housing Material/外壳材质: Chrome plated brass/铜镀珍珠铬  
 Other metal spare parts/其余金属件: Nickel plated brass/铜镀镍  
 Insulator material/绝缘材料: PPS  
 IP Rating/防护等级: IP68(插入状态)

\*ALL MATERIALS ARE RoHS COMPLIANT/所有材料均符合RoHS要求.



Plug front view  
插头前视图



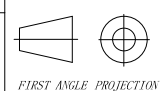
view K  
K向孔位排列

DRAWN BY:  
绘图: Z01 2024. 6. 20  
CHECKED BY:  
审核: Z01 2024. 6. 20  
APPROVED BY:  
核准: P005 2024. 6. 20



美易连电子科技(深圳)有限公司  
Meiyilian electronic technology (shenzhen) Co. Ltd.

GENERAL TOLERANCE  
(UNLESS SPECIFIED)  
 $\leq 10 \pm 0.1$   
 $< 10^{\circ} \sim \leq 20 \pm 0.15$   
 $< 20^{\circ} \sim \leq 50 \pm 0.3$   
Angle  $\pm 1^{\circ}$



REV/版本 A1

单位  
UNT: mm  
比例  
SCALE: 1: 1

名称  
PART NAME

型号  
PART NAME

0T-TH弯式插头  
0T-TH Bent plug

THA. 0T. 305. CLAC32Z

SIZE: A4  
SHEET: 1 OF 1