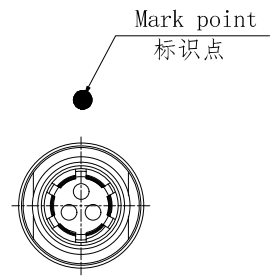
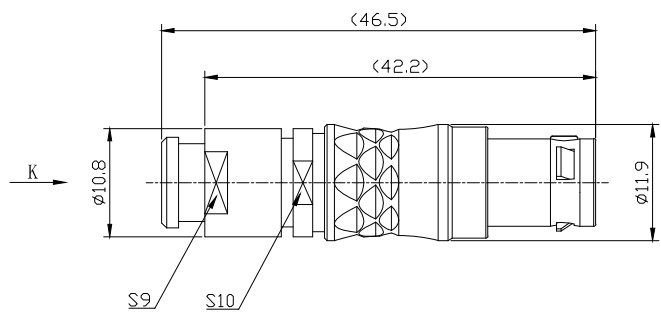


1	2	3	4	5	6	7	8
REV/版本		DESCRIPTION/变更内容		DATE/日期		DRAWN BY/绘图	

1) Product main performance/产品主要性能指标:

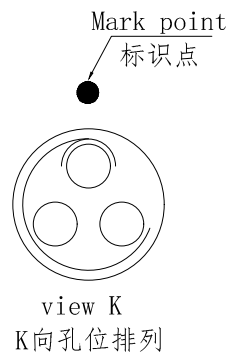
Operating Temperature/工作温度 : -55°C~200°C
 Humidity(max)/最大潮湿 : <=95% [at 60 deg C / 140 F]
 Shielding /屏蔽性能 : 75dB(10MHz) 40dB(1GHz)
 Salt Spray Corrosion/盐雾 : 96hr
 P op (max)/最大环境压力 : 60 bar (870 psi)

Mechanical data/机械特性:
 Vibration/振动 : 15g[10Hz~2000Hz]
 Shock Resistance/冲击 : 100g[6ms]
 Endurance (Shell)/机械寿命 : 5000次
 Cable/配接电缆: $\phi 3.1\text{mm}-\phi 4.0\text{mm}$



2. 电气性能

Insert Configuration/针芯配置: 1B.303 3Low Voltage
 Pin Size/接触件直径: $\phi 1.3\text{mm}$
 Contact resistance接触电阻: $\leq 5\text{m}\Omega$
 Insulation resistance/绝缘电阻: 5000M Ω (测试电压500V(DC))
 Withstand voltage/耐电压: 1000V(AC)
 Rated working current额定工作电流: 12.0A




Other Specification/其它规格:

Contact PIN/接触体: Gold plated Tin bronze/锡青铜镀金
 Housing Material/外壳材质: Chrome plated brass/铜镀珍珠铬
 Other metal spare parts/其余金属件: Nickel plated brass/铜镀镍
 Insulator material/绝缘材料: PPS
 IP Rating/防护等级: IP50

*ALL MATERIALS ARE RoHS COMPLIANT/所有材料均符合RoHS要求.

DRAWN BY: 绘图: PD03	2024.05.28
CHECKED BY: 审核: Z01	2024.05.28
APPROVED BY: 核准: PD05	2024.05.28
GENERAL TOLERANCE (UNLESS SPECIFIED)	
$\leq 10 \pm 0.1$	
$< 10 \sim \leq 20 \pm 0.15$	
$< 20 \sim \leq 50 \pm 0.3$	
Angle $\pm 1^\circ$	

 美易连电子科技(深圳)有限公司 Meiyilian electronic technology(shenzhen)Co.,Ltd.		单位 UNIT: mm	名称 PART NAME	1B-TG直式插头(带护套式尾帽) 1B-TG Straight plug (with jacketed tail cap)
		比例 SCALE: 1: 1	型号 PART NAME	TGG. 1B. 303. CLAD42Z
REV/版本	A1	SHEET: 1 OF 1		