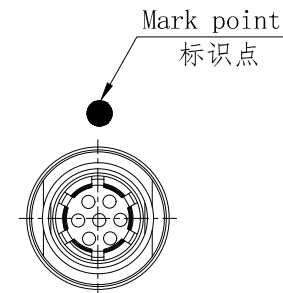
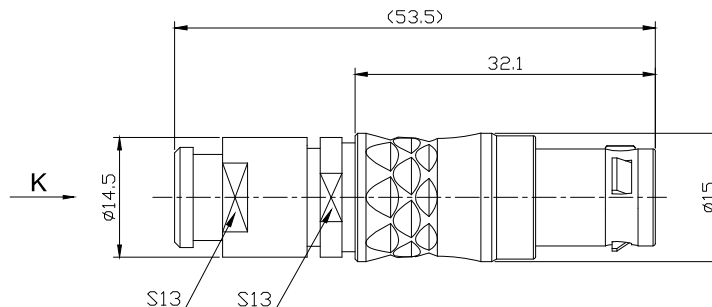


REV/版本	DESCRIPTION/变更内容	DATE/日期	DRAWN BY/绘图

### 1) Product main performance/产品主要性能指标:

Operating Temperature/工作温度: -55°C~200°C  
 Humidity(max)/最大潮湿: <=95% [at 60 deg C / 140 F]  
 Shielding /屏蔽性能: 75dB(10MHz) 40dB(1GHz)  
 Salt Spray Corrosion/盐雾: 96hr  
 P op (max)/最大环境压力: 60 bar (870 psi)

Mechanical data/机械特性:  
 Vibration/振动: 15g[10Hz~2000Hz]  
 Shock Resistance/冲击: 100g[6ms]  
 Endurance (Shell)/机械寿命: 5000次  
 Cable/配接电缆: Ø8.1mm-Ø9.0mm



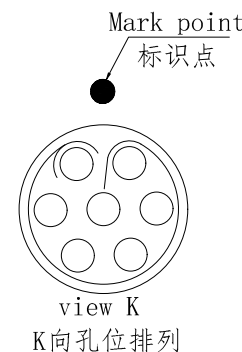
### 2. 电气性能

Insert Configuration/针芯配置: 2B. 307 7Low Voltage  
 Pin Size/接触件直径: Ø1.3mm  
 Contact resistance接触电阻: ≤5mΩ  
 Insulation resistance/绝缘电阻: 5000MΩ (测试电压500V(DC))  
 Withstand voltage/耐电压: 1450V(AC)  
 Rated working current额定工作电流: 11.0A

### Other Specification/其它规格:

Contact PIN/接触体: Gold plated Tin bronze/锡青铜镀金  
 Housing Material/外壳材质: Chrome plated brass/铜镀珍珠铬  
 Other metal spare parts/其余金属件: Nickel plated brass/铜镀镍  
 Insulator material/绝缘材料: PPS  
 IP Rating/防护等级: IP50

\*ALL MATERIALS ARE RoHS COMPLIANT/所有材料均符合RoHS要求.



DRAWN BY: 绘图: PD03    2024. 05. 28  CHECKED BY: 审核: Z01    2024. 05. 28  APPROVED BY: 核准: PD05    2024. 05. 28	<p>美易连电子科技(深圳)有限公司 Meiyilian electronic technology(shenzhen)Co.,Ltd.</p>	单位 UNIT: mm	名称 PART NAME	2B-TG直式插头(带护套式尾帽) 2B-TG Straight plug (with jacketed tail cap)
GENERAL TOLERANCE (UNLESS SPECIFIED) ≤10 ±0.1 <10~≤20 ±0.15 <20~≤50 ±0.3 AngTe ±1°		<p>FIRST ANGLE PROJECTION</p>	比例 SCALE: 1: 1	型号 PART NAME
REV/版本    A1	SHEET: 1 OF 1			