

1	2	3	4	5	6	7	8
REV/版本	DESCRIPTION/变更内容		DATE/日期	DRAWN BY/绘图			

1) Product main performance/产品主要性能指标:

Operating Temperature/工作温度: -55°C~200°C
 Humidity(max)/最大潮湿: <=95% [at 60 deg C / 140 F]
 Shielding /屏蔽性能: 75dB(10MHz) 40dB(1GHz)
 Salt Spray Corrosion/盐雾: 96hr
 P op (max)/最大环境压力: 60 bar (870 psi)

Mechanical data/机械特性:
 Vibration/振动: 15g[10Hz~2000Hz]
 Shock Resistance/冲击: 100g[6ms]
 Endurance (Shell)/机械寿命: 5000+
 Cable/配接电缆: Ø6.1mm-Ø7.0mm

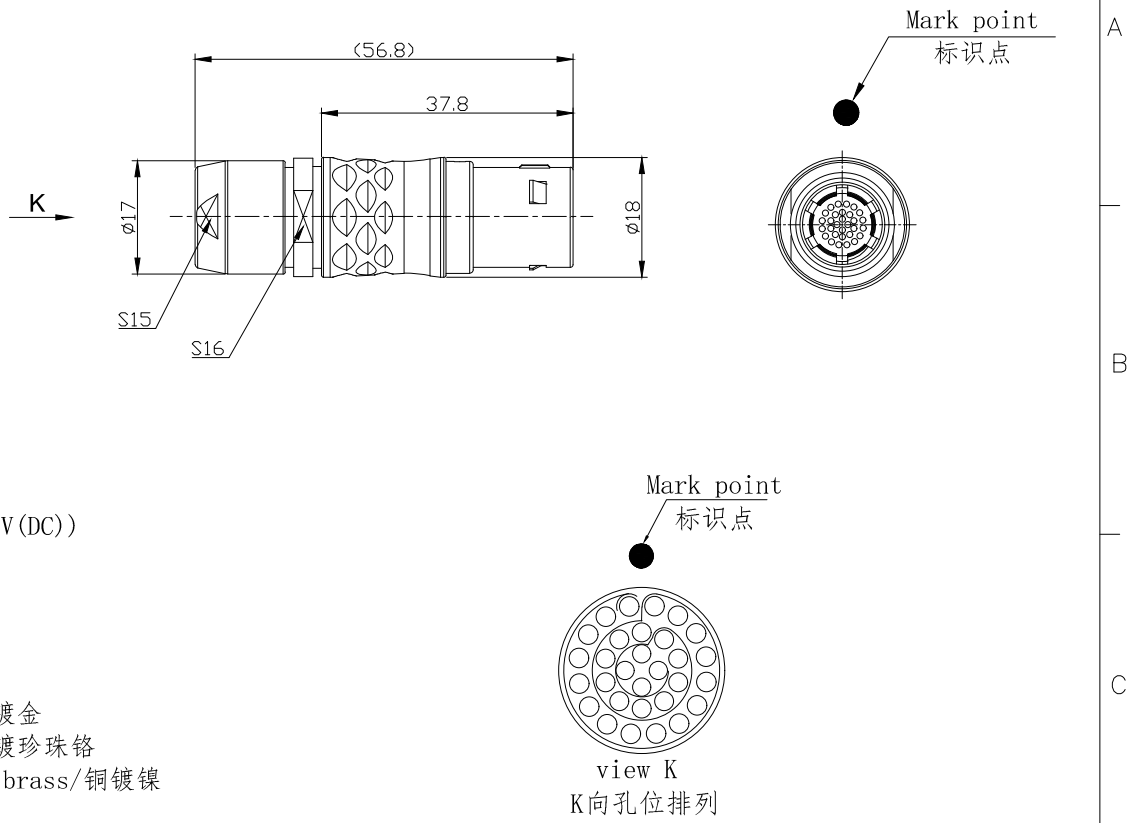
2. 电气性能



Insert Configuration/针芯配置: 3B. 330 30Low Voltage
 Pin Size/接触件直径: Ø0.7mm
 Contact resistance接触电阻: ≤12.5mΩ
 Insulation resistance/绝缘电阻: 5000MΩ (测试电压500V(DC))
 Withstand voltage/耐电压: 750V(AC)
 Rated working current额定工作电流: 3.5A

Other Specification/其它规格:

Contact PIN/接触体: Gold plated Tin bronze/锡青铜镀金
 Housing Material/外壳材质: Chrome plated brass/铜镀珍珠铬
 Other metal spare parts/其余金属件: Nickel plated brass/铜镀镍
 Insulator material/绝缘材料: PPS
 IP Rating/防护等级: IP50

*ALL MATERIALS ARE RoHS COMPLIANT/所有材料均符合RoHS要求.



DRAWN BY: 绘图: P003 2024. 05. 28		 美易连电子科技(深圳)有限公司 Meiyilian electronic technology (shenzhen) Co., Ltd.	名称 PART NAME		3B-TG直式插头(不带护套式尾帽) 3B-TG Straight plug (without jacketed tail cap)
CHECKED BY: 审核: Z01 2024. 05. 28			比例 SCALE: 1: 1		型号 PART NAME
APPROVED BY: 核准: P005 2024. 05. 28			SIZE: A4		
GENERAL TOLERANCE (UNLESS SPECIFIED) ≤10 ±0.1 <10~<20 ±0.15 <20~<50 ±0.3 Angle ±1°		 FIRST ANGLE PROJECTION		TGG. 3B. 330. CLAD72	
REV/版本	A1	SHEET: 1 OF 1			