

1) Product main performance/产品主要性能指标:

Operating Temperature/工作温度:  $-55^{\circ}\text{C} \sim 200^{\circ}\text{C}$

Humidity(max)/最大潮湿:  $\leq 95\%$  [at  $60^{\circ}\text{C} / 140^{\circ}\text{F}$ ]

Shielding /屏蔽性能: 75dB(10MHz) 40dB(1GHz)

Salt Spray Corrosion/盐雾: 96hr

P op (max)/最大环境压力: 60 bar (870 psi)

Mechanical data/机械特性:

Vibration/振动: 15g[10Hz~2000Hz]

Shock Resistance/冲击: 100g[6ms]

Endurance (Shell)/机械寿命: 5000次

Cable/配接电缆:  $\phi 3.1\text{mm} - \phi 4.0\text{mm}$

2. 电气性能

Insert Configuration/针芯配置: 1T. 306 6Low Voltage

Pin Size/接触件直径:  $\phi 0.7\text{mm}$

Contact resistance接触电阻:  $\leq 12.5\text{m}\Omega$

Insulation resistance/绝缘电阻:  $5000\text{M}\Omega$  (测试电压500V(DC))

Withstand voltage/耐电压: 875V(AC)

Rated working current额定工作电流: 7.0A

Other Specification/其它规格:

Contact PIN/接触体: Gold plated Tin bronze/锡青铜镀金

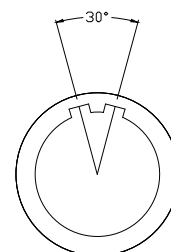
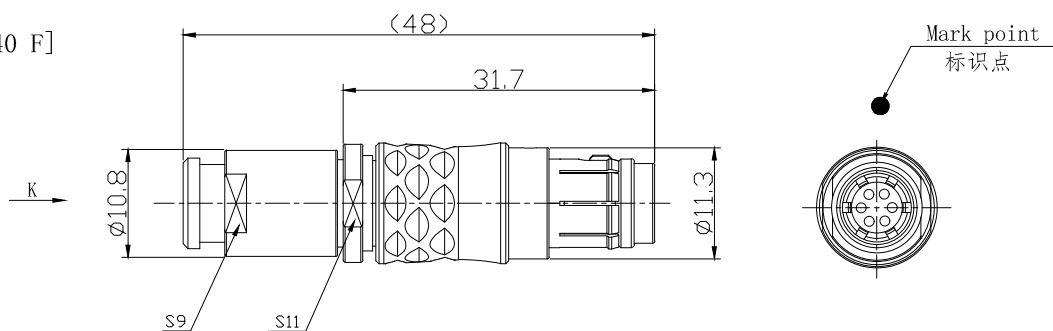
Housing Material/外壳材质: Chrome plated brass/铜镀珍珠铬

Other metal spare parts/其余金属件: Nickel plated brass/铜镀镍

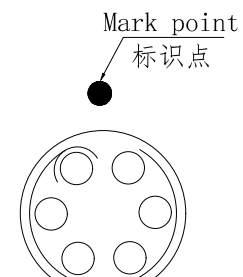
Insulator material/绝缘材料: PPS

IP Rating/防护等级: IP68(插合状态)


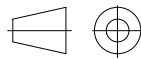
\*ALL MATERIALS ARE RoHS COMPLIANT/所有材料均符合RoHS要求.



Socket front view  
插座前视图



view K  
K向孔位排列

DRAWN BY: 绘图: Z01 2024. 6. 20  CHECKED BY: 审核: Z01 2024. 6. 20  APPROVED BY: 核准: PD05 2024. 6. 20	 美易连电子科技(深圳)有限公司 Meiyilian electronic technology (shenzhen) Co. Ltd.	单位 UNIT: mm  名称 PART NAME 1T-DH浮动式插座(带护套式尾帽) 1T-DH Floating socket (with jacketed tail cap)
GENERAL TOLERANCE (UNLESS SPECIFIED) $\leq 10 \pm 0.1$ $< 10^{\circ} \leq 20 \pm 0.15$ $< 20^{\circ} \leq 50 \pm 0.3$ Angle $\pm 1^{\circ}$	 FIRST ANGLE PROJECTION	比例 SCALE: 1: 1  型号 PART NAME DHA. 1T. 306. CLAC42Z
REV/版本 A1	SHEET: 1 OF 1	