

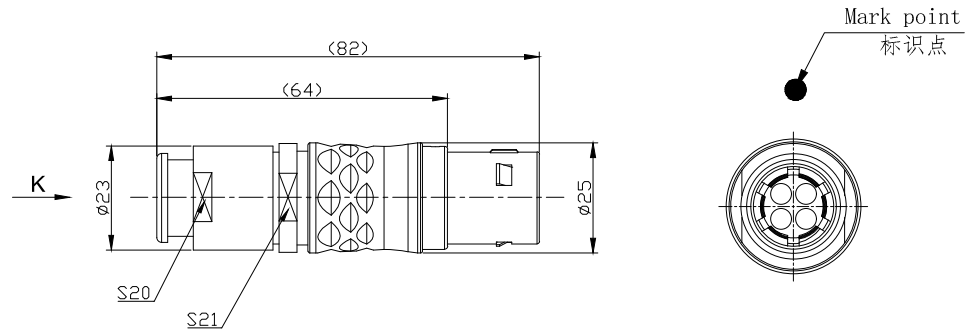
1 2 3 4 5 6 7 8

REV/版本	DESCRIPTION/变更内容	DATE/日期	DRAWN BY/绘图

1) Product main performance/产品主要性能指标:

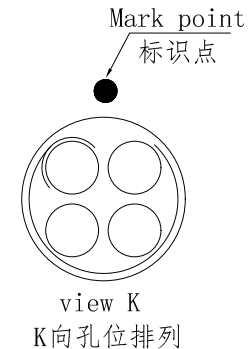
Operating Temperature/工作温度 : -55°C~200°C
 Humidity(max)/最大潮湿 : <=95% [at 60 deg C / 140 F]
 Shielding /屏蔽性能 : 75dB(10MHz) 40dB(1GHz)
 Salt Spray Corrosion/盐雾 : 96hr
 P op (max)/最大环境压力 : 60 bar (870 psi)

Mechanical data/机械特性:
 Vibration/振动 : 15g[10Hz~2000Hz]
 Shock Resistance/冲击 : 100g[6ms]
 Endurance (Shell)/机械寿命 : 5000次
 Cable/配接电缆: $\phi 11.1\text{mm}-\phi 12.0\text{mm}$



2. 电气性能


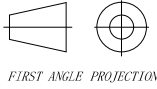
Insert Configuration/针芯配置: 4B.304 4Low Voltage
 Pin Size/接触件直径: $\phi 3.0\text{mm}$
 Contact resistance接触电阻: $\leq 3\text{m}\Omega$
 Insulation resistance/绝缘电阻: $5000\text{M}\Omega$ (测试电压500V(DC))
 Withstand voltage/耐电压: 1000V (AC)
 Rated working current额定工作电流: 30.0A



Other Specification/其它规格:

Contact PIN/接触体: Gold plated Tin bronze/锡青铜镀金
 Housing Material/外壳材质: Chrome plated brass/铜镀珍珠铬
 Other metal spare parts/其余金属件: Nickel plated brass/铜镀镍
 Insulator material/绝缘材料: PPS
 IP Rating/防护等级: IP50

*ALL MATERIALS ARE RoHS COMPLIANT/所有材料均符合RoHS要求.

DRAWN BY: 绘图: P003 2024. 05. 28		 美易连电子科技(深圳)有限公司 Meiyilian electronic technology(shenzhen)Co.,Ltd.	名称		4B-TG直式插头(带护套式尾帽)
CHECKED BY: 审核: Z01 2024. 05. 28			PART NAME		4B-TG Straight plug (with jacketed tail cap)
APPROVED BY: 核准: P005 2024. 05. 28			型号		TGG. 4B. 304. CLAD122Z
GENERAL TOLERANCE (UNLESS SPECIFIED)		 FIRST ANGLE PROJECTION		单位 UNIT: mm	比例 SCALE: 1: 1
$\leq 10 \pm 0.1$				SIZE: A4	
$< 10 \sim \leq 20 \pm 0.15$				SHEET: 1 OF 1	
$< 20 \sim \leq 50 \pm 0.3$					
Angle $\pm 1^\circ$					
		REV/版本	A1		

1 2 <https://www.mylconnector.com/> 4 5 <https://www.mylconnector.com/> 7 8