

1) Product main performance/产品主要性能指标:

Operating Temperature/工作温度 : -55°C ~ 200°C
 Humidity(max)/最大潮湿 : <=95% [at 60 deg C / 140 F]
 Shielding /屏蔽性能 : 75dB(10MHz) 40dB(1GHz)
 Salt Spray Corrosion/盐雾 : 96hr
 P op (max)/最大环境压力 : 60 bar (870 psi)

Mechanical data/机械特性:

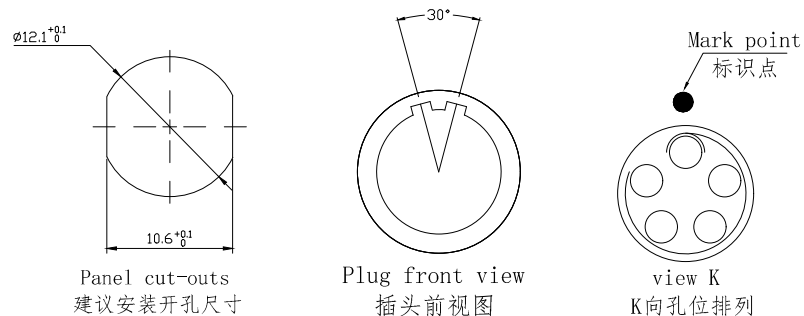
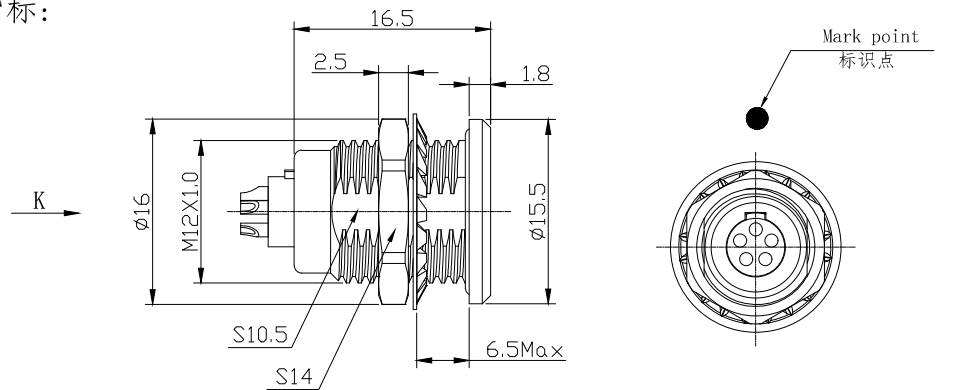
Vibration/振动 : 15g[10Hz~2000Hz]
 Shock Resistance/冲击 : 100g[6ms]
 Endurance (Shell)/机械寿命 : 5000次

2. 电气性能

Insert Configuration/针芯配置: 1T.305 5Low Voltage
 Pin Size/接触件直径: $\phi 0.9$ mm
 Contact resistance接触电阻: ≤ 9 m Ω
 Insulation resistance/绝缘电阻: 5000M Ω (测试电压500V(DC))
 Withstand voltage/耐电压: 875V(AC)
 Rated working current额定工作电流: 9.0A

Other Specification/其它规格:

Contact PIN/接触体: Gold plated Tin bronze/锡青铜镀金
 Housing Material/外壳材质: Chrome plated brass/铜镀珍珠铬
 Other metal spare parts/其余金属件: Nickel plated brass/铜镀镍
 Glue filling type/灌胶类型: White silica gel/白色硅胶
 Insulator material/绝缘材料: PPS
 IP Rating/防护等级: IP68(插合状态)
 *ALL MATERIALS ARE RoHS COMPLIANT/所有材料均符合RoHS要求.



DRAWN BY:
绘图: Z01 2024. 6. 20
CHECKED BY:
审核: Z01 2024. 6. 20
APPROVED BY:
核准: PD05 2024. 6. 20

MEIYILIAN 美易连电子科技(深圳)有限公司
 Meiyilian electronic technology(shenzhen)Co. Ltd.

GENERAL TOLERANCE (UNLESS SPECIFIED) $\leq 10 \pm 0.1$ $< 10^\circ \leq 20^\circ \pm 0.15$ $< 20^\circ \leq 50^\circ \pm 0.3$ Angle $\pm 1^\circ$	FIRST ANGLE PROJECTION	单位 UNTT: mm	名称 PART NAME	1T-ZG固定式插座 1T-ZG Fixed socket
		比例 SCALE: 1: 1	型号 PART NAME	ZGA. 1T. 305. CLL
REV1/版本	A1	SHEET: 1 OF 1		