

REV/版本	DESCRIPTION/变更内容	DATE/日期	DRAWN BY/绘图

1) Product main performance/产品主要性能指标:

Operating Temperature/工作温度: $-55^{\circ}\text{C} \sim 200^{\circ}\text{C}$
Humidity(max)/最大潮湿: $\leq 95\%$ [at 60°C / 140°F]
Shielding /屏蔽性能: $75\text{dB}(10\text{MHz})$ $40\text{dB}(1\text{GHz})$
Salt Spray Corrosion/盐雾: 96hr
P op (max)/最大环境压力: 60 bar (870 psi)

Mechanical data/机械特性:

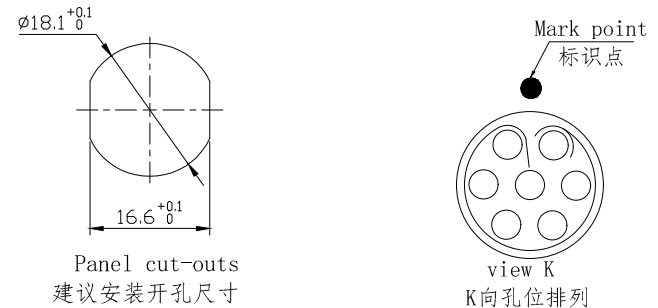
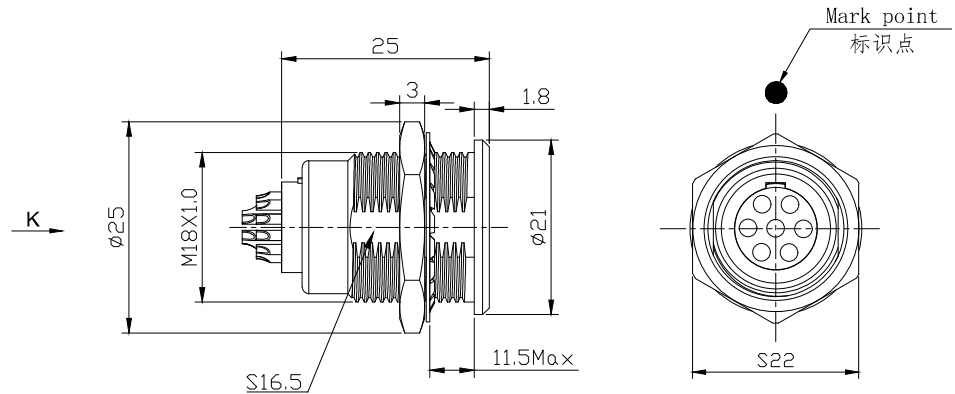
Vibration/振动: $15\text{g}[10\text{Hz} \sim 2000\text{Hz}]$
Shock Resistance/冲击: $100\text{g}[6\text{ms}]$
Endurance (Shell)/机械寿命: 5000+


2. 电气性能

Insert Configuration/针芯配置: 3B. 307 7Low Voltage
Pin Size/接触件直径: $\phi 1.6\text{mm}$
Contact resistance接触电阻: $\leq 4\text{m}\Omega$
Insulation resistance/绝缘电阻: $5000\text{M}\Omega$ (测试电压 $500\text{V}(\text{DC})$)
Withstand voltage/耐电压: $750\text{V}(\text{AC})$
Rated working current额定工作电流: 15.0A

Other Specification/其它规格:

Contact PIN/接触体: Gold plated Tin bronze/锡青铜镀金
Housing Material/外壳材质: Chrome plated brass/铜镀珍珠铬
Other metal spare parts/其余金属件: Nickel plated brass/铜镀镍
Insulator material/绝缘材料: PPS
IP Rating/防护等级: IP50
*ALL MATERIALS ARE RoHS COMPLIANT/所有材料均符合RoHS要求.



DRAWN BY: 绘图: P003 2024.05.28		 美易连电子科技(深圳)有限公司 Meiyilian electronic technology(shenzhen)Co.,Ltd.	
CHECKED BY: 审核: Z01 2024.05.28			
APPROVED BY: 核准: P005 2024.05.28			
GENERAL TOLERANCE (UNLESS SPECIFIED) $\leq 10 \pm 0.1$ $< 10 \sim 20 \pm 0.15$ $< 20 \sim 50 \pm 0.3$ Angle $\pm 1^{\circ}$		单位 UNIT: mm 比例 SCALE: 1: 1 SIZE: A4	名称 PART NAME 3B-ZG固定式插座 3B-ZG Fixed socket
REV/版本	A1	SHEET: 1 OF 1	型号 PART NAME ZGG. 3B. 307. CLL