

1) Product main performance/产品主要性能指标:

Operating Temperature/工作温度 : -55°C~200°C  
 Humidity(max)/最大潮湿 : <=95% [at 60 deg C / 140 F]  
 Shielding /屏蔽性能 : 75dB(10MHz) 40dB(1GHz)  
 Salt Spray Corrosion/盐雾 : 96hr  
 P op (max)/最大环境压力 : 60 bar (870 psi)

Mechanical data/机械特性:  
 Vibration/振动 : 15g[10Hz~2000Hz]  
 Shock Resistance/冲击 : 100g[6ms]  
 Endurance (Shell)/机械寿命 : 5000+  
 Cable/配接电缆:  $\phi$ 10.6mm- $\phi$ 11.4mm

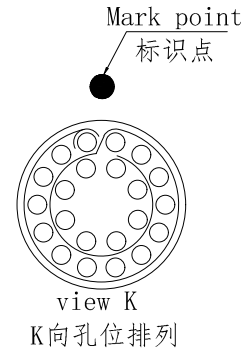
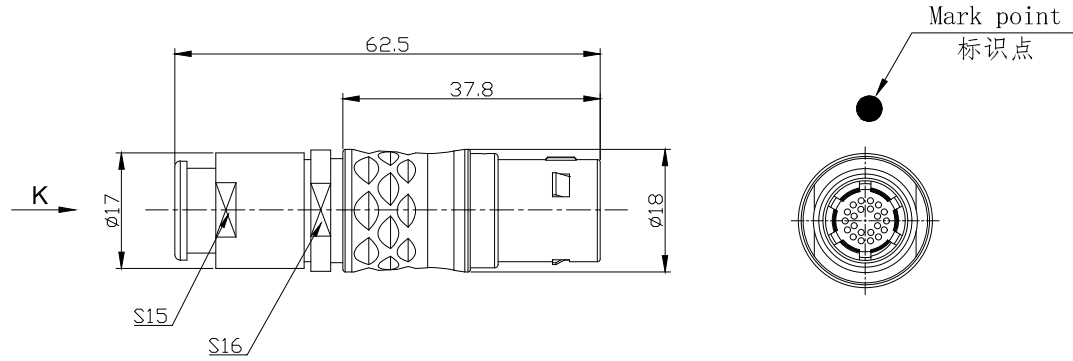
2. 电气性能

Insert Configuration/针芯配置: 3B.322 22Low Voltage  
 Pin Size/接触件直径:  $\phi$ 0.7mm  
 Contact resistance接触电阻:  $\leq$ 12.5m $\Omega$   
 Insulation resistance/绝缘电阻: 5000M $\Omega$  (测试电压500V(DC))  
 Withstand voltage/耐电压: 750V(AC)  
 Rated working current额定工作电流: 5.5A

Other Specification/其它规格:

Contact PIN/接触体: Gold plated Tin bronze/锡青铜镀金  
 Housing Material/外壳材质: Chrome plated brass/铜镀珍珠铬  
 Other metal spare parts/其余金属件: Nickel plated brass/铜镀镍  
 Insulator material/绝缘材料: PPS  
 IP Rating/防护等级: IP50

\*ALL MATERIALS ARE RoHS COMPLIANT/所有材料均符合RoHS要求.



REV/版本	DESCRIPTION/变更内容	DATE/日期	DRAWN BY/绘图

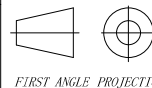
DRAWN BY:  
绘图: PD03 2024.05.28  
 CHECKED BY:  
审核: Z01 2024.05.28  
 APPROVED BY:  
核准: PD05 2024.05.28



美易连电子科技(深圳)有限公司  
 Meiyilian electronic technology(shenzhen)Co.,Ltd.

GENERAL TOLERANCE  
(UNLESS SPECIFIED)

$\leq 10$   $\pm 0.1$   
 $< 10 \sim \leq 30$   $\pm 0.15$   
 $< 30 \sim \leq 50$   $\pm 0.3$   
 Angle  $\pm 1^\circ$



FIRST ANGLE PROJECTION

单位  
UNIT: mm  
 比例  
SCALE: 1:1

型号  
PART NAME

名称  
PART NAME  
 3B-TG直式插头(带护套式尾帽)  
 3B-TG Straight plug  
 (with jacketed tail cap)

型号  
PART NAME  
 TGG. 3B. 322. CLAD116Z

REV/版本

A1

SHEET: 1 OF 1