

1) Product main performance/产品主要性能指标:

Operating Temperature/工作温度 : -55°C~200°C
 Humidity(max)/最大潮湿 : <=95% [at 60 deg C / 140 F]
 Shielding /屏蔽性能 : 75dB(10MHz) 40dB(1GHz)
 Salt Spray Corrosion/盐雾 : 96hr
 P op (max)/最大环境压力 : 60 bar (870 psi)

Mechanical data/机械特性:

Vibration/振动 : 15g[10Hz~2000Hz]
 Shock Resistance/冲击 : 100g[6ms]
 Endurance (Shell)/机械寿命 : 5000次

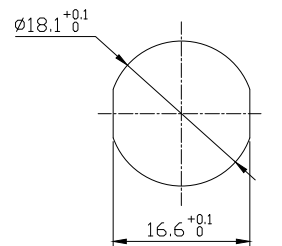
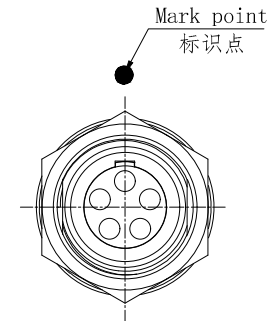
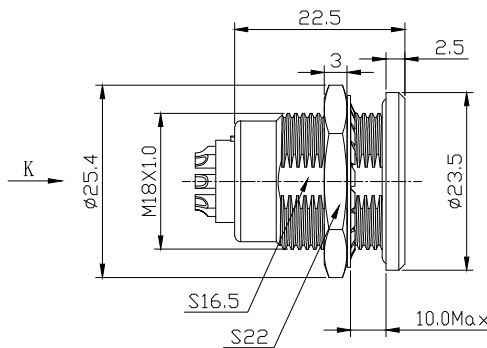
2. 电气性能

Insert Configuration/针芯配置:3T.305 5Low Voltage
 Pin Size/接触件直径:φ1.6mm
 Contact resistance接触电阻:≤4mΩ
 Insulation resistance/绝缘电阻:5000MΩ(测试电压500V(DC))
 Withstand voltage/耐电压:1250V(AC)
 Rated working current额定工作电流:19.0A

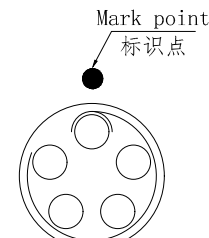
Other Specification/其它规格:

Contact PIN/接触体: Gold plated Tin bronze/锡青铜镀金
 Housing Material/外壳材质: Chrome plated brass/铜镀珍珠铬
 Other metal spare parts/其余金属件: Nickel plated brass/铜镀镍
 Insulator material/绝缘材料: PPS
 IP Rating/防护等级: IP68(头座插合)

*ALL MATERIALS ARE RoHS COMPLIANT/所有材料均符合RoHS要求.



Panel cut-outs
建议安装开孔尺寸

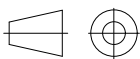


view K
K向孔位排列

DRAWN BY:
绘图: Z01 2024. 6. 20
CHECKED BY:
审核: Z01 2024. 6. 20
APPROVED BY:
核准: PD05 2024. 6. 20



美易连电子科技有限公司 (深圳) 有限公司
Meiyilian electronic technology (shenzhen) Co. Ltd.

GENERAL TOLERANCE (UNLESS SPECIFIED) ≤10 ±0.1 <10~≤20 ±0.15 <20~≤50 ±0.3 Angle ±1°	 FIRST ANGLE PROJECTION	单位 UNIT: mm	名称 PART NAME	3T-ZG固定式插座 3T-ZG Fixed socket
		比例 SCALE: 1: 1	型号 PART NAME	ZGG. 3T. 305. CLL
REV/版本	A1	SIZE: A4	SHEET: 1 OF 1	