

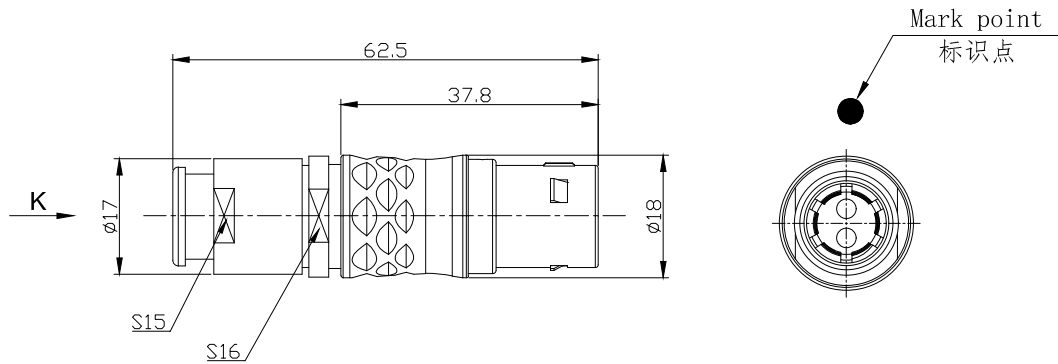
REV/版本	DESCRIPTION/变更内容	DATE/日期	DRAWN BY/绘图

### 1) Product main performance/产品主要性能指标:

Operating Temperature/工作温度: -55°C~200°C  
 Humidity(max)/最大潮湿: <=95% [at 60 deg C / 140 F]  
 Shielding /屏蔽性能: 75dB(10MHz) 40dB(1GHz)  
 Salt Spray Corrosion/盐雾: 96hr  
 P op (max)/最大环境压力: 60 bar (870 psi)

#### Mechanical data/机械特性:

Vibration/振动: 15g[10Hz~2000Hz]  
 Shock Resistance/冲击: 100g[6ms]  
 Endurance (Shell)/机械寿命: 5000+  
 Cable/配接电缆:  $\phi 5.1\text{mm}-\phi 6.0\text{mm}$

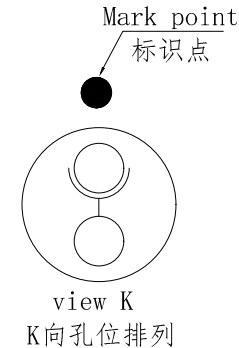


### 2. 电气性能

Insert Configuration/针芯配置: 3B. 302 2Low Voltage  
 Pin Size/接触件直径:  $\phi 3.0\text{mm}$   
 Contact resistance接触电阻:  $\leq 3\text{m}\Omega$   
 Insulation resistance/绝缘电阻:  $5000\text{M}\Omega$  (测试电压500V(DC))  
 Withstand voltage/耐电压: 875V(AC)  
 Rated working current额定工作电流: 35.0A

#### Other Specification/其它规格:

Contact PIN/接触体: Gold plated Tin bronze/锡青铜镀金  
 Housing Material/外壳材质: Chrome plated brass/铜镀珍珠铬  
 Other metal spare parts/其余金属件: Nickel plated brass/铜镀镍  
 Insulator material/绝缘材料: PPS  
 IP Rating/防护等级: IP50  
 \*ALL MATERIALS ARE RoHS COMPLIANT/所有材料均符合RoHS要求.

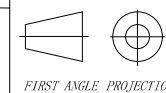


DRAWN BY:  
绘图: PDO3 2024. 05. 28  
CHECKED BY:  
审核: Z01 2024. 05. 28  
APPROVED BY:  
核准: PDO5 2024. 05. 28



美易连电子科技(深圳)有限公司  
Meiyilian electronic technology(shenzhen)Co., Ltd.

GENERAL TOLERANCE  
(UNLESS SPECIFIED)  
 $\leq 10 \pm 0.1$   
 $< 10^\circ \leq 20 \pm 0.15$   
 $< 20^\circ \leq 50 \pm 0.3$   
 Angle  $\pm 1^\circ$



单位  
UNTT: mm  
比例  
SCALE: 1: 1  
SIZE: A4

名称  
PART NAME  
型号  
PART NAME

3B-TG直式插头(带护套式尾帽)  
3B-TG Straight plug  
(with jacketed tail cap)

TGG. 3B. 302. CLAD62Z

REV/版本 A1

SHEET: 1 OF 1