

1) Product main performance/产品主要性能指标:

Operating Temperature/工作温度: -55°C~200°C  
 Humidity(max)/最大潮湿: <=95% [at 60 deg C / 140 F]  
 Shielding /屏蔽性能: 75dB(10MHz) 40dB(1GHz)  
 Salt Spray Corrosion/盐雾: 96hr  
 P op (max)/最大环境压力: 60 bar (870 psi)

Mechanical data/机械特性:

Vibration/振动: 15g[10Hz~2000Hz]  
 Shock Resistance/冲击: 100g[6ms]  
 Endurance (Shell)/机械寿命: 5000次  
 Cable/配接电缆:  $\phi 3.1\text{mm}-\phi 4.0\text{mm}$

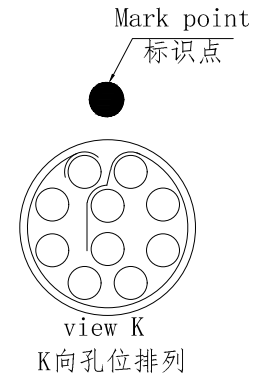
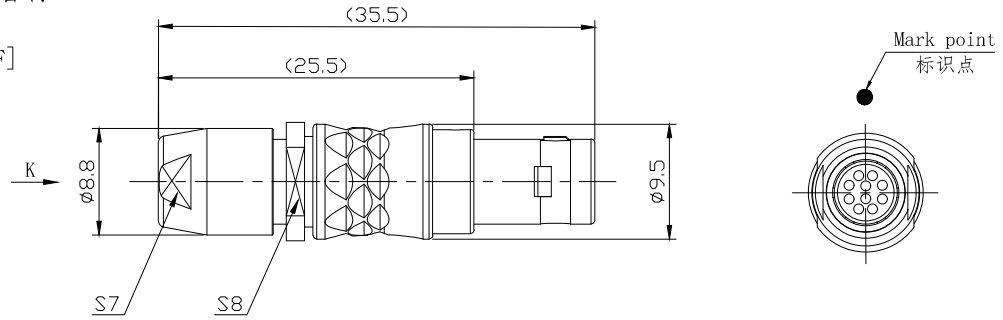
2. 电气性能

Insert Configuration/针芯配置: 0B.310 10Low Voltage  
 Pin Size/接触件直径:  $\phi 0.5\text{mm}$   
 Contact resistance接触电阻:  $\leq 15\text{m}\Omega$   
 Insulation resistance/绝缘电阻: 5000M $\Omega$  (测试电压500V(DC))  
 Withstand voltage/耐电压: 500V(AC)  
 Rated working current额定工作电流: 2.0A

Other Specification/其它规格:

Contact PIN/接触体: Gold plated Tin bronze/锡青铜镀金  
 Housing Material/外壳材质: Chrome plated brass/铜镀珍珠铬  
 Other metal spare parts/其余金属件: Nickel plated brass/铜镀镍  
 Insulator material/绝缘材料: PPS  
 IP Rating/防护等级: IP50

\*ALL MATERIALS ARE RoHS COMPLIANT/所有材料均符合RoHS要求.



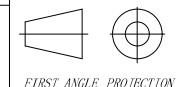
REV/版本	DESCRIPTION/变更内容	DATE/日期	DRAWN BY/绘图

DRAWN BY: 绘图: P003 2024. 05. 28  
 CHECKED BY: 审核: Z01 2024. 05. 28  
 APPROVED BY: 核准: P005 2024. 05. 28



美易连电子科技(深圳)有限公司  
 Meiyilian electronic technology (shenzhen) Co., Ltd.

GENERAL TOLERANCE (UNLESS SPECIFIED)  
 $\leq 10 \pm 0.1$   
 $< 10 \sim \leq 20 \pm 0.15$   
 $< 20 \sim \leq 50 \pm 0.3$   
 Angle  $\pm 1^\circ$



FIRST ANGLE PROJECTION

REV/版本 A1

单位  
 UNTT: mm  
 比例  
 SCALE: 1: 1

名称  
 PART NAME

OB-TG直式插头(不带护套式尾帽)  
 OB-TG Straight plug  
 (without jacketed tail cap)

型号  
 PART NAME

TGG. 0B. 310. CLAD42

SHEET: 1 OF 1