

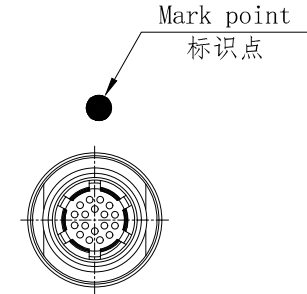
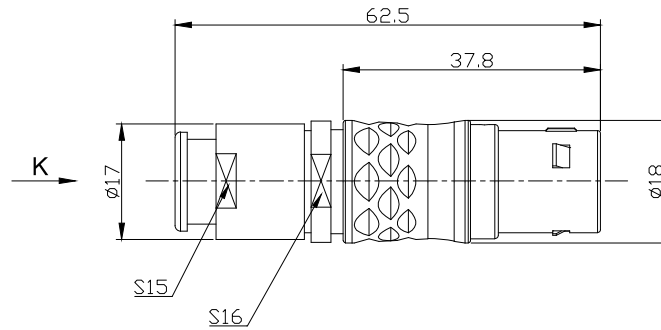
1      2      3      4      5      6      7      8

REV/版本	DESCRIPTION/变更内容	DATE/日期	DRAWN BY/绘图

1) Product main performance/产品主要性能指标:

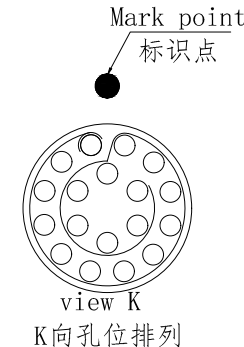
Operating Temperature/工作温度 : -55°C~200°C  
 Humidity(max)/最大潮湿 : <=95% [at 60 deg C / 140 F]  
 Shielding /屏蔽性能 : 75dB(10MHz) 40dB(1GHz)  
 Salt Spray Corrosion/盐雾 : 96hr  
 P op (max)/最大环境压力 : 60 bar (870 psi)

Mechanical data/机械特性:  
 Vibration/振动 : 15g[10Hz~2000Hz]  
 Shock Resistance/冲击 : 100g[6ms]  
 Endurance (Shell)/机械寿命 : 5000+  
 Cable/配接电缆: Ø8.1mm-Ø9.0mm



2. 电气性能

Insert Configuration/针芯配置: 3B. 318 18Low Voltage  
 Pin Size/接触件直径: Ø0.9mm  
 Contact resistance接触电阻: ≤9mΩ  
 Insulation resistance/绝缘电阻: 5000MΩ (测试电压500V(DC))  
 Withstand voltage/耐电压: 750V(AC)  
 Rated working current额定工作电流: 7.0A



Other Specification/其它规格:

Contact PIN/接触体: Gold plated Tin bronze/锡青铜镀金  
 Housing Material/外壳材质: Chrome plated brass/铜镀珍珠铬  
 Other metal spare parts/其余金属件: Nickel plated brass/铜镀镍  
 Insulator material/绝缘材料: PPS  
 IP Rating/防护等级: IP50

\*ALL MATERIALS ARE RoHS COMPLIANT/所有材料均符合RoHS要求.

DRAWN BY: 绘图: P003      2024. 05. 28 CHECKED BY: 审核: Z01      2024. 05. 28 APPROVED BY: 核准: P005      2024. 05. 28	美易连电子科技(深圳)有限公司 Meiyilian electronic technology(shenzhen)Co.,Ltd.	单位 UNTT: mm	名称 PART NAME	3B-TG直式插头(带护套式尾帽) 3B-TG Straight plug (with jacketed tail cap)
GENERAL TOLERANCE (UNLESS SPECIFIED) ≤10 ±0.1 <10° ≤20 ±0.15 <20° ≤50 ±0.3 Angle ±1°		FIRST ANGLE PROJECTION	比例 SCALE: 1: 1	
REV/版本      A1	SHEET: 1 OF 1	SIZE: A4	型号 TGG. 3B. 318. CLAD92Z	

1      2      <https://www.mylconnector.com/>      4      5      <https://www.mylconnector.com/>      7      8