

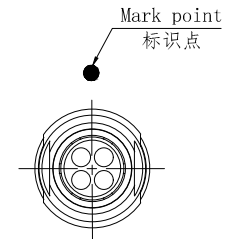
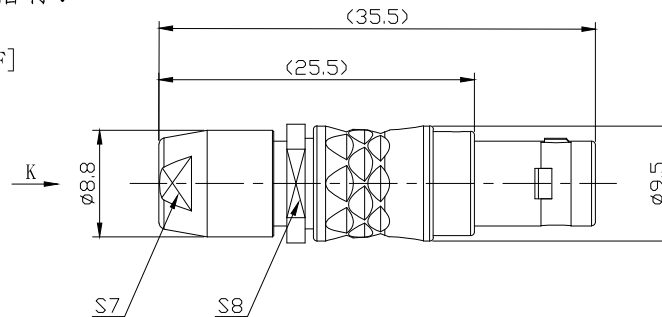
REV/版本	DESCRIPTION/变更内容	DATE/日期	DRAWN BY/绘图

### 1) Product main performance/产品主要性能指标:

Operating Temperature/工作温度:  $-55^{\circ}\text{C} \sim 200^{\circ}\text{C}$   
Humidity (max)/最大潮湿:  $\leq 95\%$  [at 60 deg C / 140 F]  
Shielding /屏蔽性能: 75dB(10MHz) 40dB(1GHz)  
Salt Spray Corrosion/盐雾: 96hr  
P op (max)/最大环境压力: 60 bar (870 psi)

### Mechanical data/机械特性:

Vibration/振动: 15g[10Hz~2000Hz]  
Shock Resistance/冲击: 100g[6ms]  
Endurance (Shell)/机械寿命: 5000次  
Cable/配接电缆:  $\phi 3.1\text{mm} - \phi 4.0\text{mm}$



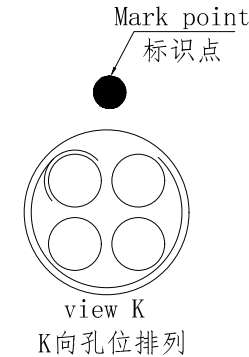
### 2. 电气性能

Insert Configuration/针芯配置: 0B.304 4Low Voltage  
Pin Size/接触件直径:  $\phi 0.7\text{mm}$   
Contact resistance/接触电阻:  $\leq 12.5\text{m}\Omega$   
Insulation resistance/绝缘电阻: 5000M $\Omega$  (测试电压500V(DC))  
Withstand voltage/耐电压: 750V(AC)  
Rated working current/额定工作电流: 7.0A

### Other Specification/其它规格:

Contact PIN/接触体: Gold plated Tin bronze/锡青铜镀金  
Housing Material/外壳材质: Chrome plated brass/铜镀珍珠铬  
Other metal spare parts/其余金属件: Nickel plated brass/铜镀镍  
Insulator material/绝缘材料: PPS  
IP Rating/防护等级: IP50

\*ALL MATERIALS ARE RoHS COMPLIANT/所有材料均符合RoHS要求.

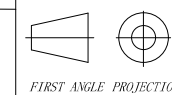


DRAWN BY:  
绘图: PD03 2024.05.28  
CHECKED BY:  
审核: Z01 2024.05.28  
APPROVED BY:  
核准: PD05 2024.05.28



美易连电子科技(深圳)有限公司  
Meiyilian electronic technology(shenzhen)Co.,Ltd.

GENERAL TOLERANCE  
(UNLESS SPECIFIED)  
 $\leq 10 \pm 0.1$   
 $< 10^{\circ} \leq 20 \pm 0.15$   
 $< 20^{\circ} \leq 50 \pm 0.3$   
Angle  $\pm 1^{\circ}$



单位  
UNIT: mm  
比例  
SCALE: 1: 1  
SIZE: A4

名称 PART NAME	型号 PART NAME
OB-TG直式插头(不带护套式尾帽) OB-TG Straight plug (without jacketed tail cap)	TGG. 0B. 304. CLAD42

REV/版本	A1	SHEET: 1 OF 1