

1) Product main performance/产品主要性能指标:

Operating Temperature/工作温度: -55°C~200°C

Humidity(max)/最大潮湿: <=95% [at 60 deg C / 140 F]

Shielding /屏蔽性能: 75dB(10MHz) 40dB(1GHz)

Salt Spray Corrosion/盐雾: 96hr

P op (max)/最大环境压力: 60 bar (870 psi)

Mechanical data/机械特性:

Vibration/振动: 15g[10Hz~2000Hz]

Shock Resistance/冲击: 100g[6ms]

Endurance (Shell)/机械寿命: 5000次

Cable/配接电缆:  $\phi 8.1\text{mm}-\phi 9.0\text{mm}$

2. 电气性能

Insert Configuration/针芯配置: 3T. 303 3Low Voltage

Pin Size/接触件直径:  $\phi 2.0\text{mm}$

Contact resistance接触电阻:  $\leq 3.5\text{m}\Omega$

Insulation resistance/绝缘电阻:  $5000\text{M}\Omega$  (测试电压500V(DC))

Withstand voltage/耐电压: 1500V(AC)

Rated working current额定工作电流: 25.0A

Other Specification/其它规格:

Contact PIN/接触体: Gold plated Tin bronze/锡青铜镀金

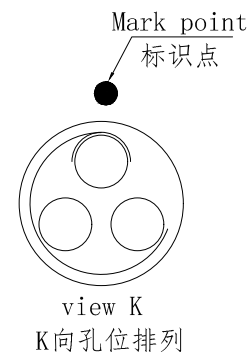
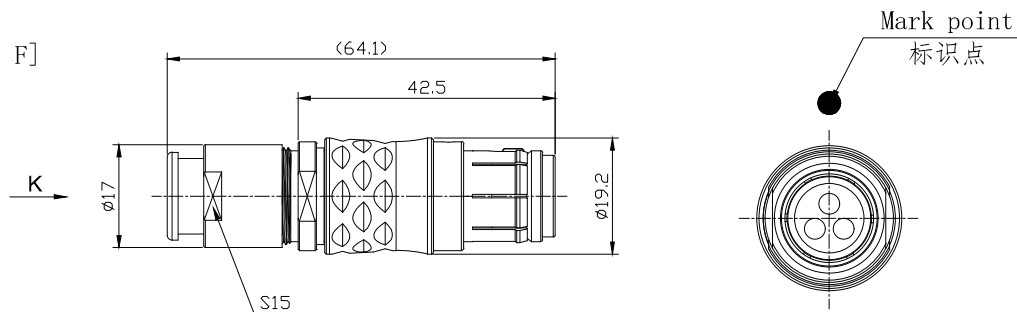
Housing Material/外壳材质: Chrome plated brass/铜镀珍珠铬


Other metal spare parts/其余金属件: Nickel plated brass/铜镀镍

Insulator material/绝缘材料: PPS

IP Rating/防护等级: IP68(头座插合)

\*ALL MATERIALS ARE RoHS COMPLIANT/所有材料均符合RoHS要求.



DRAWN BY: 绘图: Z01 2024. 6. 20		 美易连电子科技(深圳)有限公司 Meiyilian electronic technology(shenzhen)Co. Ltd.		名称 PART NAME		3T-TG直式插头(带护套式尾帽) 3T-TG Straight plug (with jacketed tail cap)	
CHECKED BY: 审核: Z01 2024. 6. 20				单位 UNIT: mm	比例 SCALE: 1: 1	型号 PART NAME	TGG. 3T. 303. CLAC92Z
APPROVED BY: 核准: P005 2024. 6. 20				第一角投影 FIRST ANGLE PROJECTION	尺寸 SIZE: A4	张数 SHEET: 1 OF 1	
GENERAL TOLERANCE (UNLESS SPECIFIED) $\leq 10 \pm 0.1$ $< 10 \sim \leq 20 \pm 0.15$ $< 20 \sim \leq 50 \pm 0.3$ Angle $\pm 1^\circ$		REV/版本	A1				