

1) Product main performance/产品主要性能指标:

Operating Temperature/工作温度: $-55^{\circ}\text{C} \sim 200^{\circ}\text{C}$
 Humidity(max)/最大潮湿: $\leq 95\%$ [at 60 deg C / 140 F]
 Shielding /屏蔽性能: 75dB(10MHz) 40dB(1GHz)
 Salt Spray Corrosion/盐雾: 96hr
 P op (max)/最大环境压力: 60 bar (870 psi)

Mechanical data/机械特性:

Vibration/振动: 15g[10Hz~2000Hz]
 Shock Resistance/冲击: 100g[6ms]
 Endurance (Shell)/机械寿命: 5000次
 Cable/配接电缆: $\phi 6.1\text{mm} - \phi 7.0\text{mm}$

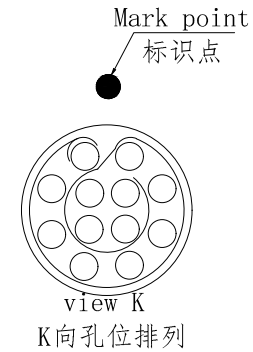
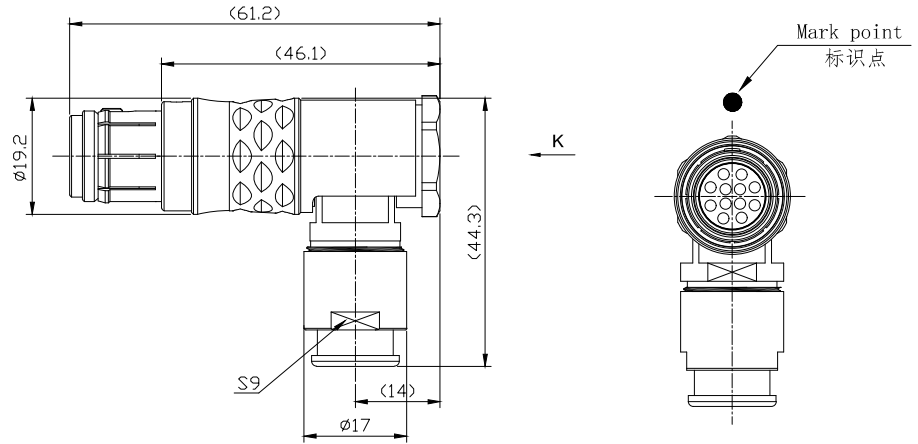
2. 电气性能

Insert Configuration/针芯配置: 3T.312 12Low Voltage
 Pin Size/接触件直径: $\phi 0.9\text{mm}$
 Contact resistance接触电阻: $\leq 9\text{m}\Omega$
 Insulation resistance/绝缘电阻: $5000\text{M}\Omega$ (测试电压500V(DC))
 Withstand voltage/耐电压: 1000V(AC)
 Rated working current额定工作电流: 9.0A

Other Specification/其它规格:

Contact PIN/接触体: Gold plated Tin bronze/锡青铜镀金
 Housing Material/外壳材质: Chrome plated brass/铜镀珍珠铬
 Other metal spare parts/其余金属件: Nickel plated brass/铜镀镍
 Insulator material/绝缘材料: PPS
 IP Rating/防护等级: IP68(头座插合)

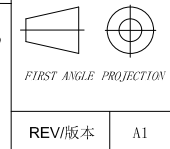
*ALL MATERIALS ARE RoHS COMPLIANT/所有材料均符合RoHS要求.



DRAWN BY:
绘图: Z01 2024. 6. 20
 CHECKED BY:
审核: Z01 2024. 6. 20
 APPROVED BY:
核准: PD05 2024. 6. 20

 美易连电子科技有限公司 (深圳) 有限公司 Meiyilian electronic technology (shenzhen) Co. Ltd.		名称 PART NAME	3T-TH直式插头 (带护套式尾帽) 3T-TH Straight plug (with jacketed tail cap)
		型号 PART NAME	THG. 3T. 312. CLAC72Z

GENERAL TOLERANCE
(UNLESS SPECIFIED)
 $\leq 10 \pm 0.1$
 $< 10^{\circ} \leq 20 \pm 0.15$
 $< 20^{\circ} \leq 50 \pm 0.3$
 Angle $\pm 1^{\circ}$



单位
UNIT: mm
 比例
SCALE: 1: 1
 名称
PART NAME
 型号
PART NAME
 SHEET: 1 OF 1

REV/版本 A1