

1) Product main performance/产品主要性能指标:

Operating Temperature/工作温度 : $-55^{\circ}\text{C} \sim 200^{\circ}\text{C}$
 Humidity(max)/最大潮湿 : $\leq 95\%$ [at 60 deg C / 140 F]
 Shielding /屏蔽性能 : 75dB(10MHz) 40dB(1GHz)
 Salt Spray Corrosion/盐雾 : 96hr
 P op (max)/最大环境压力 : 60 bar (870 psi)

Mechanical data/机械特性:

Vibration/振动 : 15g[10Hz~2000Hz]
 Shock Resistance/冲击 : 100g[6ms]
 Endurance (Shell)/机械寿命 : 5000次
 Cable/配接电缆: $\phi 10.9\text{mm} - \phi 11.8\text{mm}$

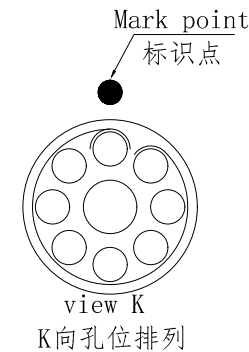
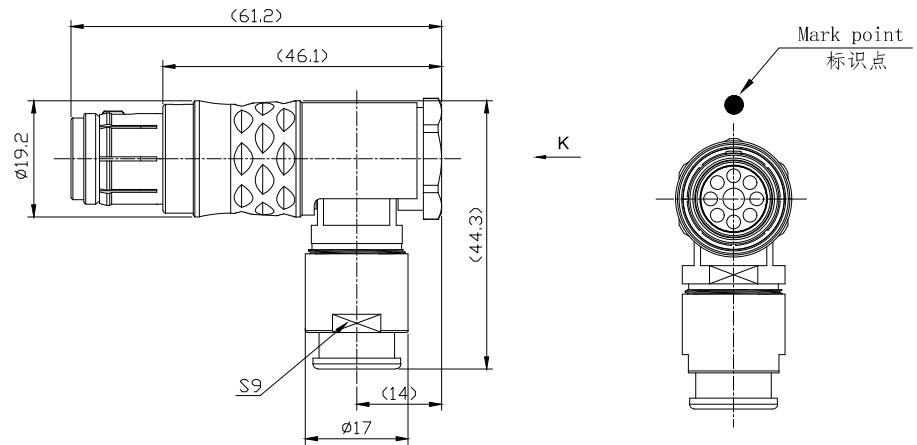
2. 电气性能


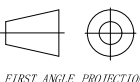
Insert Configuration/针芯配置: 3T.309 9Low Voltage
 Pin Size/接触件直径: $\phi 2.0/1.3\text{mm}$
 Contact resistance接触电阻: $\leq 3.5/5\text{m}\Omega$
 Insulation resistance/绝缘电阻: 5000M Ω (测试电压500V(DC))
 Withstand voltage/耐电压: 1050V(AC)
 Rated working current额定工作电流: 15.0/6.0A

Other Specification/其它规格:

Contact PIN/接触体: Gold plated Tin bronze/锡青铜镀金
 Housing Material/外壳材质: Chrome plated brass/铜镀珍珠铬
 Other metal spare parts/其余金属件: Nickel plated brass/铜镀镍
 Insulator material/绝缘材料: PPS
 IP Rating/防护等级: IP68(头座插合)

*ALL MATERIALS ARE RoHS COMPLIANT/所有材料均符合RoHS要求.



| | | | | |
|--|----|---|--|--|
| DRAWN BY: 绘图: Z01 2024. 6. 20 CHECKED BY: 审核: Z01 2024. 6. 20 APPROVED BY: 核准: P005 2024. 6. 20 | |  美易连电子科技(深圳)有限公司 Meiyilian electronic technology(shenzhen)Co.Ltd. | | |
| GENERAL TOLERANCE (UNLESS SPECIFIED) $\leq 10 \pm 0.1$ $< 10 \sim \leq 20 \pm 0.15$ $< 20 \sim \leq 50 \pm 0.3$ Angle $\pm 1^{\circ}$ | |  FIRST ANGLE PROJECTION | 单位 UNT: mm 比例 SCALE: 1: 1 名称 PART NAME 型号 PART NAME | 3T-TH直式插头(带护套式尾帽) 3T-TH Straight plug (with jacketed tail cap) THG. 3T. 309. CLAC120Z |
| REV/版本 | A1 | SIZE: A4 | SHEET: 1 OF 1 | |