

1) Product main performance/产品主要性能指标:

Operating Temperature/工作温度 : -55°C~200°C  
 Humidity(max)/最大潮湿 : <=95% [at 60 deg C / 140 F]  
 Shielding /屏蔽性能 : 75dB(10MHz) 40dB(1GHz)  
 Salt Spray Corrosion/盐雾 : 96hr  
 P op (max)/最大环境压力 : 60 bar (870 psi)

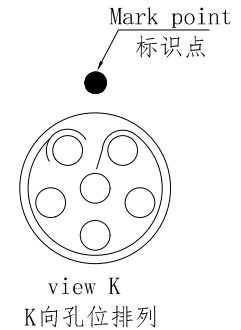
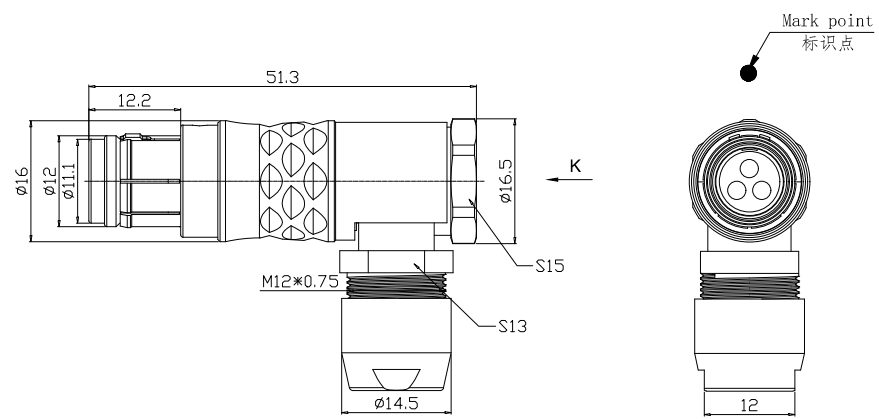
Mechanical data/机械特性:  
 Vibration/振动 : 15g[10Hz~2000Hz]  
 Shock Resistance/冲击 : 100g[6ms]  
 Endurance (Shell)/机械寿命 : 5000次  
 Cable/配接电缆:  $\phi 9.1\text{mm}-\phi 10.0\text{mm}$

2. 电气性能

Insert Configuration/针芯配置: 2T.306 6Low Voltage  
 Pin Size/接触件直径:  $\phi 1.3\text{mm}$   
 Contact resistance接触电阻:  $\leq 5\text{m}\Omega$   
 Insulation resistance/绝缘电阻:  $5000\text{M}\Omega$  (测试电压500V(DC))  
 Withstand voltage/耐电压: 1450V(AC)  
 Rated working current额定工作电流: 12.0A

Other Specification/其它规格:

Contact PIN/接触体: Gold plated Tin bronze/锡青铜镀金  
 Housing Material/外壳材质: Chrome plated brass/铜镀珍珠铬  
 Other metal spare parts/其余金属件: Nickel plated brass/铜镀镍  
 Insulator material/绝缘材料: PPS  
 IP Rating/防护等级: IP68(插合状态)  
 \*ALL MATERIALS ARE RoHS COMPLIANT/所有材料均符合RoHS要求.

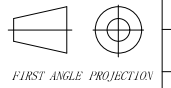


DRAWN BY: 绘图: Z01 2024. 6. 20  
 CHECKED BY: 审核: Z01 2024. 6. 20  
 APPROVED BY: 核准: PDO5 2024. 6. 20



美易连电子科技(深圳)有限公司  
 Meiyilian electronic technology(shenzhen)Co.Ltd.

GENERAL TOLERANCE (UNLESS SPECIFIED)  
 $\leq 10 \pm 0.1$   
 $< 10^\circ \leq 20 \pm 0.15$   
 $< 20^\circ \leq 50 \pm 0.3$   
 Angle  $\pm 1^\circ$



FIRST ANGLE PROJECTION

REV/版本 A1

单位 UNIT: mm  
 比例 SCALE: 1: 1  
 型号 PART NAME  
 SHEET: 1 OF 1

名称 PART NAME  
 2T-TH直式插头  
 2T-TH Straight plug  
 型号 PART NAME  
 THG. 2T. 306. CLAC102