

1) Product main performance/产品主要性能指标:

Operating Temperature/工作温度: $-55^{\circ}\text{C} \sim 200^{\circ}\text{C}$
 Humidity(max)/最大潮湿: $\leq 95\%$ [at $60^{\circ}\text{C} / 140^{\circ}\text{F}$]
 Shielding /屏蔽性能: 75dB(10MHz) 40dB(1GHz)
 Salt Spray Corrosion/盐雾: 96hr
 P op (max)/最大环境压力: 60 bar (870 psi)

Mechanical data/机械特性:

Vibration/振动: 15g[10Hz~2000Hz]
 Shock Resistance/冲击: 100g[6ms]
 Endurance (Shell)/机械寿命: 5000次
 Cable/配接电缆: $\phi 4.1\text{mm} - \phi 5.0\text{mm}$

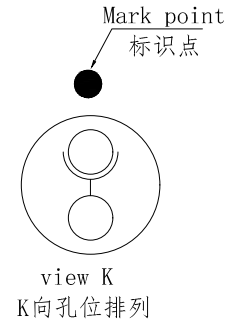
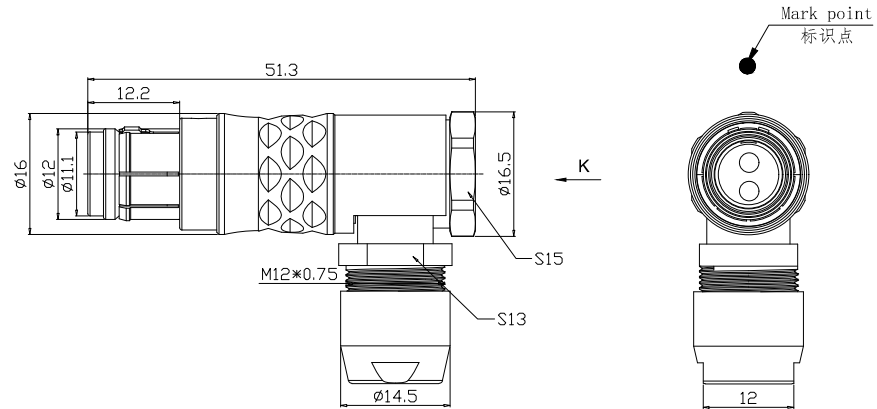
2. 电气性能

Insert Configuration/针芯配置: 2T. 302 2Low Voltage
 Pin Size/接触件直径: $\phi 2.0\text{mm}$
 Contact resistance/接触电阻: $\leq 2\text{m}\Omega$
 Insulation resistance/绝缘电阻: $5000\text{M}\Omega$ (测试电压500V(DC))
 Withstand voltage/耐电压: 1750V(AC)
 Rated working current/额定工作电流: 30.0A

Other Specification/其它规格:

Contact PIN/接触体: Gold plated Tin bronze/锡青铜镀金
 Housing Material/外壳材质: Chrome plated brass/铜镀珍珠铬
 Other metal spare parts/其余金属件: Nickel plated brass/铜镀镍
 Insulator material/绝缘材料: PPS
 IP Rating/防护等级: IP68(插合状态)

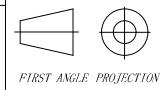
*ALL MATERIALS ARE RoHS COMPLIANT/所有材料均符合RoHS要求.



DRAWN BY:
绘图: Z01 2024. 6. 20
CHECKED BY:
审核: Z01 2024. 6. 20
APPROVED BY:
核准: PDO5 2024. 6. 20

 美易连电子科技(深圳)有限公司
Meiyilian electronic technology(shenzhen)Co. Ltd.

GENERAL TOLERANCE
(UNLESS SPECIFIED)
 $\leq 10 \pm 0.1$
 $< 10^{\circ} \leq 20 \pm 0.15$
 $< 20^{\circ} \leq 50 \pm 0.3$
Angle $\pm 1^{\circ}$



REV/版本 A1

单位
UNIT: mm
比例
SCALE: 1: 1
SIZE: A4
SHEET: 1 OF 1

名称 PART NAME	2T-TH直式插头 2T-TH Straight plug
型号 PART NAME	THG. 2T. 302. CLAC52