

1) Product main performance/产品主要性能指标:

Operating Temperature/工作温度 : -55°C~200°C

Humidity(max)/最大潮湿 : <=95% [at 60 deg C / 140 F]

Shielding /屏蔽性能 : 75dB(10MHz) 40dB(1GHz)

Salt Spray Corrosion/盐雾 : 96hr

P op (max)/最大环境压力 : 60 bar (870 psi)

Mechanical data/机械特性:

Vibration/振动 : 15g[10Hz~2000Hz]

Shock Resistance/冲击 : 100g[6ms]

Endurance (Shell)/机械寿命 : 5000次

Cable/配接电缆: $\phi 8.1\text{mm}-\phi 9.0\text{mm}$

2. 电气性能

Insert Configuration/针芯配置: 2T.305 5Low Voltage

Pin Size/接触件直径: $\phi 1.3\text{mm}$

Contact resistance接触电阻: $\leq 5\text{m}\Omega$

Insulation resistance/绝缘电阻: $5000\text{M}\Omega$ (测试电压500V(DC))

Withstand voltage/耐电压: 1600V(AC)

Rated working current额定工作电流: 14.0A

Other Specification/其它规格:

Contact PIN/接触体: Gold plated Tin bronze/锡青铜镀金

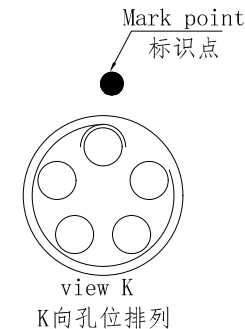
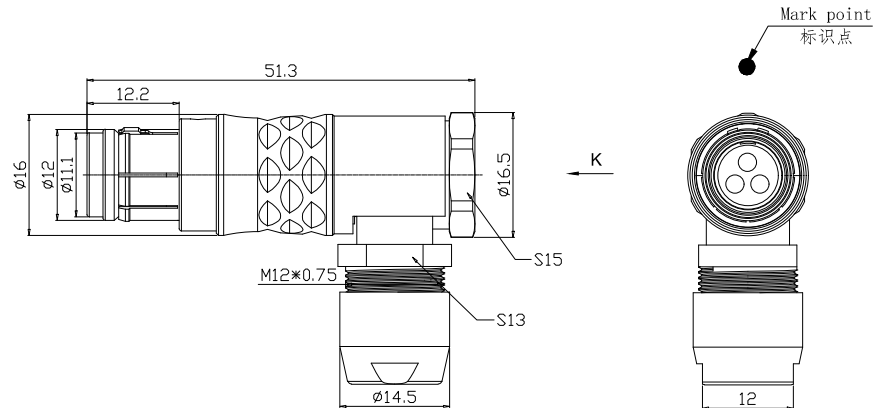
Housing Material/外壳材质: Chrome plated brass/铜镀珍珠铬


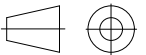
Other metal spare parts/其余金属件: Nickel plated brass/铜镀镍

Insulator material/绝缘材料: PPS

IP Rating/防护等级: IP68(插合状态)

*ALL MATERIALS ARE RoHS COMPLIANT/所有材料均符合RoHS要求.



| | | | | |
|--|----|--|--|--|
| DRAWN BY: 绘图: Z01 2024. 6. 20 CHECKED BY: 审核: Z01 2024. 6. 20 APPROVED BY: 核准: PD05 2024. 6. 20 | |  美易连电子科技(深圳)有限公司 Meiyilian electronic technology (shenzhen) Co. Ltd. | | |
| GENERAL TOLERANCE (UNLESS SPECIFIED) $\leq 10 \pm 0.1$ $< 10 \sim \leq 20 \pm 0.15$ $< 20 \sim \leq 50 \pm 0.3$ Angle $\pm 1^\circ$ | |  FIRST ANGLE PROJECTION | 单位 UNIT: mm 名称 PART NAME 比例 SCALE: 1: 1 型号 PART NAME 尺寸 SIZE: A4 SHEET: 1 OF 1 | 2T-TH直式插头 2T-TH Straight plug THG. 2T. 305. CLAC92 |
| REV/版本 | A1 | | | |