

1) Product main performance/产品主要性能指标:

Operating Temperature/工作温度 : -55°C~200°C

Humidity(max)/最大潮湿 : <=95% [at 60 deg C / 140 F]

Shielding /屏蔽性能 : 75dB(10MHz) 40dB(1GHz)

Salt Spray Corrosion/盐雾 : 96hr

P op (max)/最大环境压力 : 60 bar (870 psi)

Mechanical data/机械特性:

Vibration/振动 : 15g[10Hz~2000Hz]

Shock Resistance/冲击 : 100g[6ms]

Endurance (Shell)/机械寿命 : 5000次

Cable/配接电缆:φ5.1mm-φ6.0mm

2. 电气性能

Insert Configuration/针芯配置:2T.319 19Low Voltage

Pin Size/接触件直径:φ0.7mm

Contact resistance接触电阻:≤12.5mΩ

Insulation resistance/绝缘电阻:5000MΩ (测试电压500V(DC))

Withstand voltage/耐电压:750V(AC)

Rated working current额定工作电流:5.0A

Other Specification/其它规格:

Contact PIN/接触体: Gold plated Tin bronze/锡青铜镀金

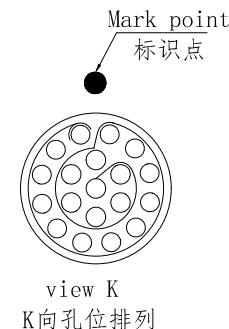
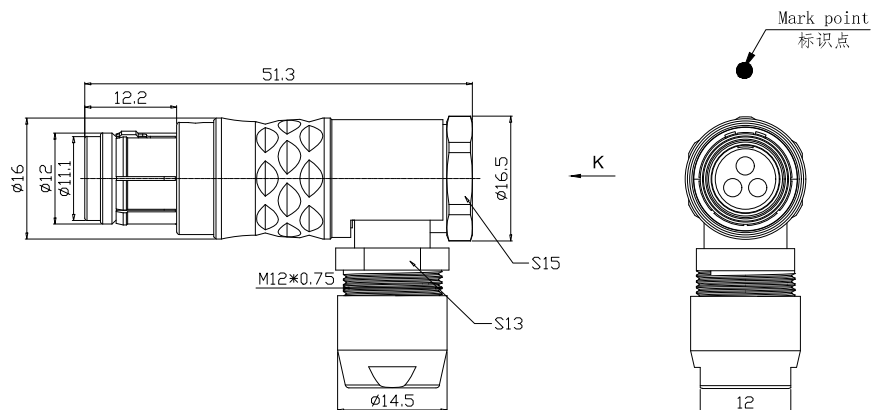
Housing Material/外壳材质: Chrome plated brass/铜镀珍珠铬

Other metal spare parts/其余金属件: Nickel plated brass/铜镀镍

Insulator material/绝缘材料: PPS

IP Rating/防护等级: IP68(插入状态)

*ALL MATERIALS ARE RoHS COMPLIANT/所有材料均符合RoHS要求.

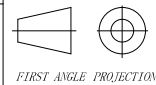


DRAWN BY:
绘图:Z01 2024.6.20
CHECKED BY:
审核:Z01 2024.6.20
APPROVED BY:
核准:PD05 2024.6.20



美易连电子科技(深圳)有限公司
Meilian electronic technology(shenzhen)Co. Ltd.

GENERAL TOLERANCE
(UNLESS SPECIFIED)
≤10 ±0.1
<10° ≤20 ±0.15
<20° ≤50 ±0.3
Angle ±1°



FIRST ANGLE PROJECTION

REV/版本 A1

单位
UNIT: mm
比例
SCALE: 1: 1

名称
PART NAME

2T-TH直式插头
2T-TH Straight plug

型号
PART NAME

THG. 2T. 319. CLAC62

SHEET: 1 OF 1