

1) Product main performance/产品主要性能指标:

Operating Temperature/工作温度 : -55℃~200℃  
 Humidity(max)/最大潮湿 : <=95% [at 60 deg C / 140 F]  
 Shielding /屏蔽性能 : 75dB(10MHz) 40dB(1GHz)  
 Salt Spray Corrosion/盐雾 : 96hr  
 P op (max)/最大环境压力 : 60 bar (870 psi)

Mechanical data/机械特性:

Vibration/振动 : 15g[10Hz~2000Hz]  
 Shock Resistance/冲击 : 100g[6ms]  
 Endurance (Shell)/机械寿命 : 5000次  
 Cable/配接电缆:  $\phi 10.9\text{mm}$ — $\phi 11.8\text{mm}$

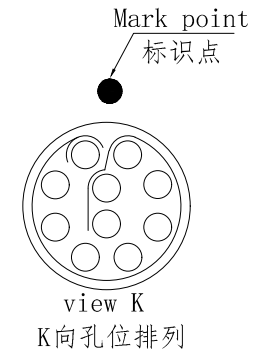
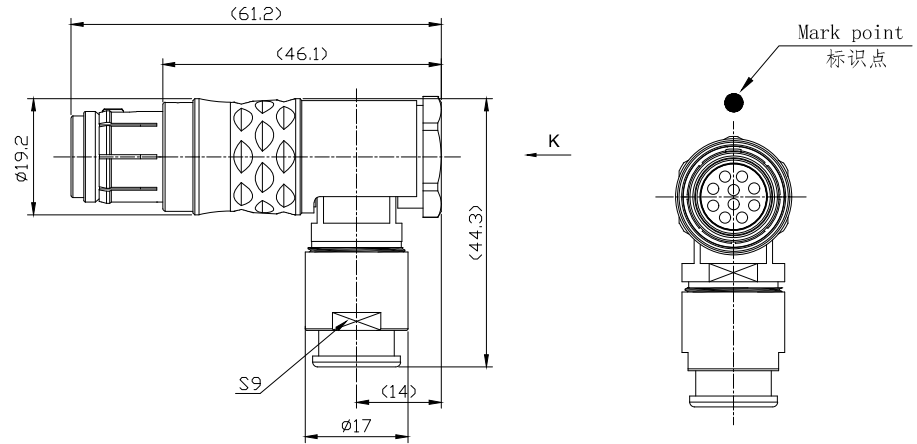
2. 电气性能

Insert Configuration/针芯配置: 3T. 310 10Low Voltage  
 Pin Size/接触件直径:  $\phi 1.3\text{mm}$   
 Contact resistance接触电阻:  $\leq 5\text{m}\Omega$   
 Insulation resistance/绝缘电阻:  $5000\text{M}\Omega$  (测试电压500V (DC))  
 Withstand voltage/耐电压: 900V (AC)  
 Rated working current额定工作电流: 12.0A

Other Specification/其它规格:

Contact PIN/接触体: Gold plated Tin bronze/锡青铜镀金  
 Housing Material/外壳材质: Chrome plated brass/铜镀珍珠铬  
 Other metal spare parts/其余金属件: Nickel plated brass/铜镀镍  
 Insulator material/绝缘材料: PPS  
 IP Rating/防护等级: IP68(头座插合)


\*ALL MATERIALS ARE RoHS COMPLIANT/所有材料均符合RoHS要求.



DRAWN BY:  
绘图: Z01 2024. 6. 20  
CHECKED BY:  
审核: Z01 2024. 6. 20  
APPROVED BY:  
核准: P005 2024. 6. 20

GENERAL TOLERANCE  
(UNLESS SPECIFIED)

$\leq 10 \pm 0.1$   
 $< 10^\circ \leq 20^\circ \pm 0.15$   
 $< 20^\circ \leq 50^\circ \pm 0.3$   
 Angle  $\pm 1^\circ$

 美易连电子科技(深圳)有限公司 Meiyilian electronic technology (shenzhen) Co. Ltd.		单位 UNIT: mm	名称 PART NAME	3T-TH直式插头(带护套式尾帽) 3T-TH Straight plug (with jacketed tail cap)
		比例 SCALE: 1: 1	型号 PART NAME	
FIRST ANGLE PROJECTION		SIZE: A4	型号 PART NAME	THG. 3T. 310. CLAC120Z
REV/版本	A1	SHEET: 1 OF 1		